

Circular sensor connectors



Mini-change (7/8") cables & connectors

The 7/8" mini-change connectors are mating compatible with industry mini-change connectors, and are designed for both signal and high-electricity current applications. The connection is sealed to an IP68 rating, with molded cable and panel receptacles available. Contacts are gold-plated, with a stainless steel locking sleeve also available as an option.

- Degree of protection IP68
- 3, 4, 5, 3+7, 16 poles are available
- TPU over molded or metal shell
- Cable length customized, PUR and PVC cable options
- Anti-vibration locking screw design

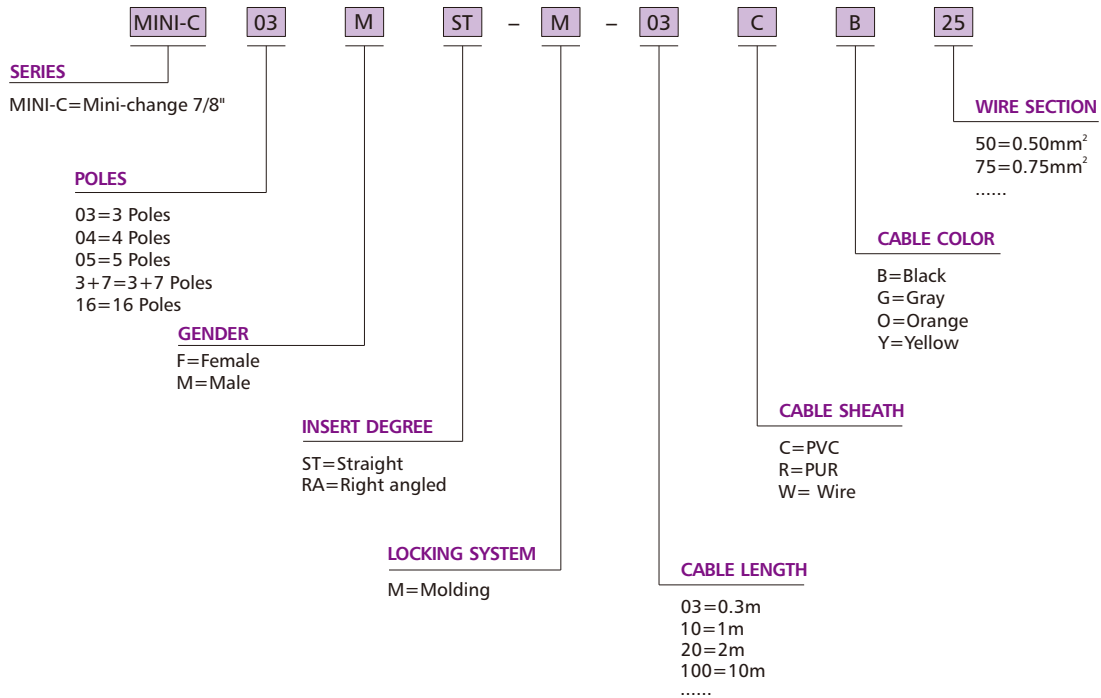
Mini-change (7/8") Quick Search Table	Locking type	Fix screw						Fix screw						
	Rated Current	13A				8A		4A			4A (signal 7Pins), 5A (power 3Pins)		4A	
	Voltage	300V				300V		60V			250V		250V	
	Wire Gauge / size	18AWG / 1.0mm ² , 16AWG / 1.5mm ²				20AWG / 0.5mm ²		~			20~24AWG / 0.25~0.5mm ²		24AWG / 0.25mm ²	
Pin layout														
Mini-change(7/8") cables & connectors		03 Pins		04 Pins		05 Pins		05 Pins			3+7 Pins		16 Pins	
Molded Cable														
	Male Molded Cable Straight	329	-	329	-	329	-	-	-	-	329	-	329	-
	Female Molded Cable Straight	-	330	-	330	-	330	-	-	-	330	-	-	330
	Male Molded Cable Angled	331	-	331	-	331	-	-	-	-	331	-	331	-
	Female Molded Cable Angled	-	332	-	332	-	332	-	-	-	332	-	-	332
Assembly Type														
	Male Field Wirable Assembly Straight Screw joint	333	-	333	-	333	-	-	-	-	-	-	-	-
	Male Field Wirable Assembly Straight Screw Termination with Nut	337	-	337	-	337	-	-	-	-	-	-	-	-
	Male Field Wirable Assembly Straight Screw Termination with Pilot Holes	341	-	341	-	341	-	-	-	-	-	-	-	-
	Female Field Wirable Assembly Straight Screw joint	-	334	-	334	-	334	-	-	-	-	-	-	-
	Female Field Wirable Assembly Straight Screw Termination with Nut	-	338	-	338	-	338	-	-	-	-	-	-	-
	Female Field Wirable Assembly Straight Screw Termination with Pilot Holes	-	342	-	342	-	342	-	-	-	-	-	-	-
	Male Field Wirable Assembly Angled Screw joint	335	-	335	-	335	-	-	-	-	-	-	-	-
	Male Field Wirable Assembly Angled Screw Termination	339	-	339	-	339	-	-	-	-	-	-	-	-
	Female Field Wirable Assembly Angled Screw joint	-	336	-	336	-	336	-	-	-	-	-	-	-
	Female Field Wirable Assembly Angled Screw Termination	-	340	-	340	-	340	-	-	-	-	-	-	-
Panel Mount Type														
	Male Panel Mount Crimp Front fastened	343	-	343	-	343	-	-	-	-	-	-	343	-
	Female Panel Mount Crimp Front fastened	-	344	-	344	-	344	-	-	-	-	-	-	-
	Male Panel Mount Crimp Rear fastened	345	-	345	-	345	-	-	-	-	345	-	345	-
	Female Panel Mount Crimp Rear fastened	-	346	-	346	-	346	-	-	-	346	-	-	-
	Male Panel Mount PCB Type Rear fastened	347	-	347	-	347	-	-	-	-	-	-	347	-
	Female Panel Mount PCB Type Rear fastened	-	348	-	348	-	348	-	-	-	-	-	-	348
	Male to Female Panel Mount	349	349	349	349	349	349	349	-	-	-	-	-	-
Adapter Connector														
	I-Adapter Female-Female	-	350	-	350	-	350	-	-	-	-	-	-	-
	Y-Splitter Female-Male with M12 Female	-	-	-	-	-	-	-	351	-	-	-	-	-
Splitter Connector														
	Y-Splitter Female 2 Male	352	-	352	-	352	-	-	-	-	-	-	-	-
	T-Splitter Male-Female Molded Cable	-	-	-	-	353	-	-	-	-	-	-	-	-
	T-Splitter Female-Male-Female	-	-	-	-	354	-	-	-	-	-	-	-	-
	Male-Female with M12 Female Connector	-	-	-	-	-	-	-	355	-	-	-	-	-
Terminator														
	Male Terminator	356	-	356	-	356	-	-	-	-	-	-	356	-
	Female Terminator	-	357	-	357	-	357	-	-	-	-	-	-	357
Protection Cap														
	Protection Cap for Male Molded Cable Connector	-	-	-	-	-	-	-	-	-	-	-	358-1	-
	Protection Cap for Female Molded Cable Connector	-	-	-	-	-	-	-	-	-	-	-	358-2	-

Mini-change (7/8") cables & connectors

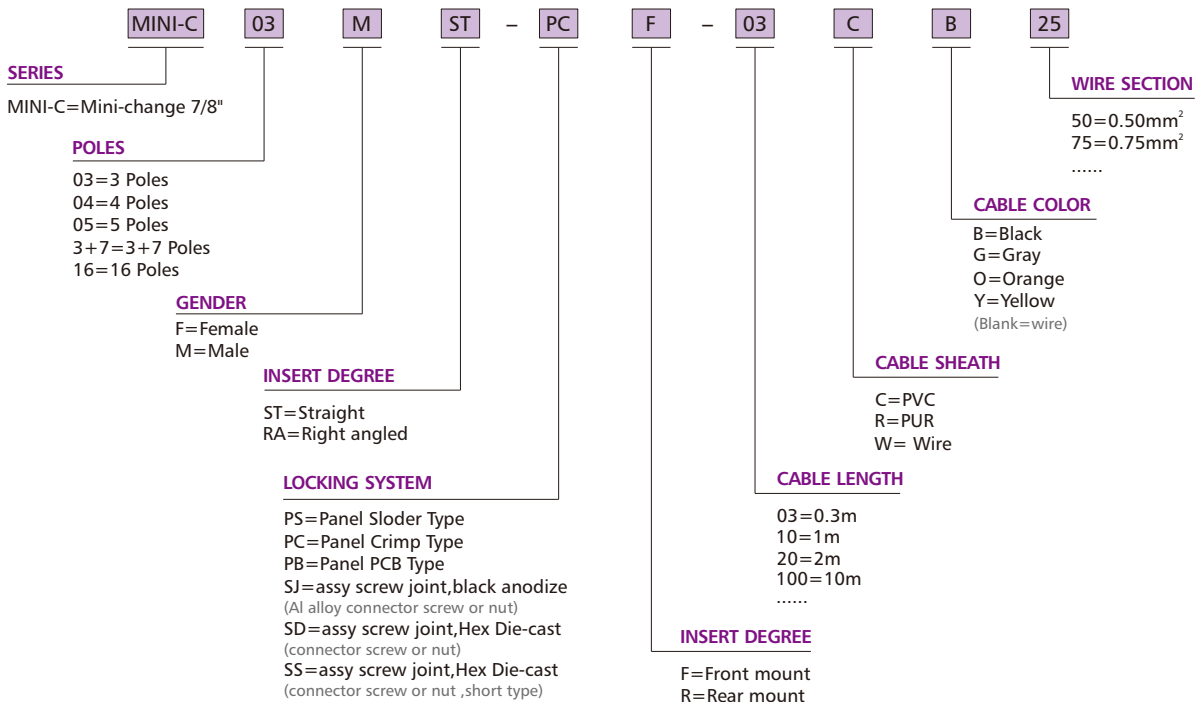
Mini-change (7/8") cables & connectors

How to Order Part Number

7/8" Series with cable molded



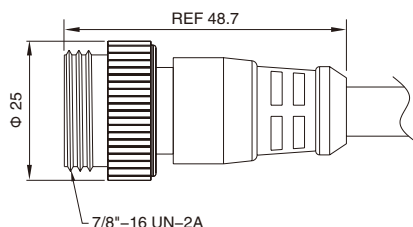
M16 Series Assembly / Panel-mount type



Mini-change(7/8") Male Molded Cable, Straight

- Connector series: Mini-change(7/8")
- Gender: Male
- Locking type: Fix screw
- Mounting type: Straight
- Part No.: MINI-C**MST-M-XXXXXX

** refers to pins number
X refers to cable specification



General information



Ambient temperature:	-40°C ~ +80°C(fixed installation) -20°C ~ +80°C(flexible installation)
Connector insert:	TPU
Connector contacts:	Brass with gold plating
Connector overmold:	TPU
Coupling nut/screw:	Aluminium anodized black

Insulation resistance:	≥ 100MΩ
Contact resistance :	≤ 5mΩ
Shielding:	Unavailable
IP rating:	IP68 in locked condition
Mating endurance:	>500 cycles

Electrical data & Mechanical data

Contacts	Rated current	Voltage		Wire gauge / size		Cable jacket	Wire insulation	Part No.
		A/C	D/C	AWG	mm ²			
03 pins	13A	300V	300V	18AWG	1.0	PUR / PVC	PVC	MINI-C03MST-M- <u>XXX</u> B100
04 pins	13A	300V	300V	18AWG	1.0	PUR / PVC	PVC	MINI-C04MST-M- <u>XXX</u> B100
05 pins	8A	300V	300V	20AWG	0.5	PUR / PVC	PVC	MINI-C05MST-M- <u>XXX</u> B50
3+7 pins	4A (signal 7Pins) 8A (power 3Pins)	250V	250V	20~24AWG	0.25~0.5	PUR / PVC	PVC	MINI-C3+7MST-M- <u>XXX</u> B25
16 pins	4A	250V	250V	24AWG	0.25	PUR / PVC	PVC	MINI-C16MST-M- <u>XXX</u> B25

Note: X refers to cable specification

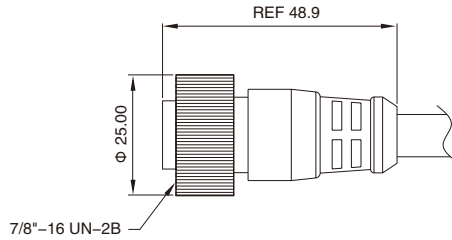
Remarks

- Please refer to Page 578 for the Conversion between American Wire Gauge AWG and Wire Cross-section mm².
- Please refer to Page 328 for products' part number encoding rule.

Mini-change(7/8") Female Molded Cable, Straight

- Connector series: Mini-change(7/8")
- Gender: Female
- Locking type: Fix screw
- Mounting type: Straight
- Part No.: MINI-C**FST-M-XXXXXX

** refers to pins number
X refers to cable specification



General information



Ambient temperature:	-40°C ~ +80°C(fixed installation) -20°C ~ +80°C(flexible installation)
Connector insert:	TPU
Connector contacts:	Brass with gold plating
Connector overmold:	TPU
Coupling nut/screw:	Aluminium anodized black
Seal/O-ring:	FKM

Insulation resistance:	≥ 100MΩ
Contact resistance :	≤ 5mΩ
Shielding:	Unavailable
IP rating:	IP68 in locked condition
Mating endurance:	>500 cycles

Electrical data & Mechanical data

Contacts	Rated current	Voltage		Wire gauge / size		Cable jacket	Wire insulation	Part No.
		A/C	D/C	AWG	mm ²			
03 pins	13A	300V	300V	18AWG	1.0	PUR / PVC	PVC	MINI-C03FST-M-XXXB100
04 pins	13A	300V	300V	18AWG	1.0	PUR / PVC	PVC	MINI-C04FST-M-XXXB100
05 pins	8A	300V	300V	20AWG	0.5	PUR / PVC	PVC	MINI-C05FST-M-XXXB50
3+7 pins	4A (signal 7Pins) 8A (power 3Pins)	250V	250V	20~24AWG	0.25~0.5	PUR / PVC	PVC	MINI-C3+7FST-M-XXXB25
16 pins	4A	250V	250V	24AWG	0.25	PUR / PVC	PVC	MINI-C16FST-M-XXXB25

Note: X refers to cable specification

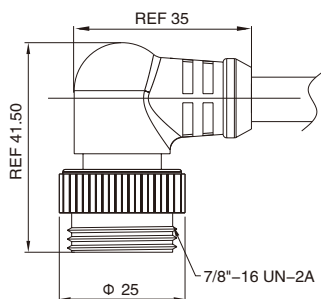
Remarks

- Please refer to Page 578 for the Conversion between American Wire Gauge AWG and Wire Cross-section mm².
- Please refer to Page 328 for products' part number encoding rule.

Mini-change(7/8") Male Molded Cable, Angled

- Connector series: Mini-change(7/8")
- Gender: Male
- Locking type: Fix screw
- Mounting type: Right angled
- Part No.: MINI-C**MRA-M-XXXXXX

** refers to pins number
X refers to cable specification



General information



Ambient temperature:	-40°C ~ +80°C(fixed installation) -20°C ~ +80°C(flexible installation)
Connector insert:	TPU
Connector contacts:	Brass with gold plating
Connector overmold:	TPU
Coupling nut/screw:	Aluminium anodized black

Insulation resistance:	≥ 100MΩ
Contact resistance :	≤ 5mΩ
Shielding:	Unavailable
IP rating:	IP68 in locked condition
Mating endurance:	>500 cycles

Electrical data & Mechanical data

Contacts	Rated current	Voltage		Wire gauge / size		Cable jacket	Wire insulation	Part No.
		A/C	D/C	AWG	mm ²			
03 pins	13A	300V	300V	18AWG	1.0	PUR / PVC	PVC	MINI-C03MRA-M-XXXB100
04 pins	13A	300V	300V	18AWG	1.0	PUR / PVC	PVC	MINI-C04MRA-M-XXXB100
05 pins	8A	300V	300V	20AWG	0.5	PUR / PVC	PVC	MINI-C05MRA-M-XXXB50
16 pins	4A	250V	250V	24AWG	0.25	PUR / PVC	PVC	MINI-C16MRA-M-XXXB25

Note: X refers to cable specification

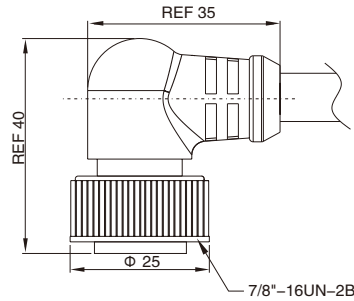
Remarks

- Please refer to Page 578 for the Conversion between American Wire Gauge AWG and Wire Cross-section mm².
- Please refer to Page 328 for products' part number encoding rule.

Mini-change(7/8") Female Molded Cable, Angled

- Connector series: Mini-change(7/8")
- Gender: Female
- Locking type: Fix screw
- Mounting type: Right angled
- Part No.: MINI-C**FRA-M-XXXXXX

** refers to pins number
X refers to cable specification



General information



Ambient temperature:	-40°C ~ +80°C(fixed installation) -20°C ~ +80°C(flexible installation)
Connector insert:	TPU
Connector contacts:	Brass with gold plating
Connector overmold:	TPU
Coupling nut/screw:	Aluminium anodized black
Seal/O-ring:	FKM

Insulation resistance:	≥ 100MΩ
Contact resistance :	≤ 5mΩ
Shielding:	Unavailable
IP rating:	IP68 in locked condition
Mating endurance:	>500 cycles

Electrical data & Mechanical data

Contacts	Rated current	Voltage		Wire gauge / size		Cable jacket	Wire insulation	Part No.
		A/C	D/C	AWG	mm ²			
03 pins	13A	300V	300V	18AWG	1.0	PUR / PVC	PVC	MINI-C03FRA-M-XXXB100
04 pins	13A	300V	300V	18AWG	1.0	PUR / PVC	PVC	MINI-C04FRA-M-XXXB100
05 pins	8A	300V	300V	20AWG	0.5	PUR / PVC	PVC	MINI-C05FRA-M-XXXB50
16 pins	4A	250V	250V	24AWG	0.25	PUR / PVC	PVC	MINI-C16FRA-M-XXXB25

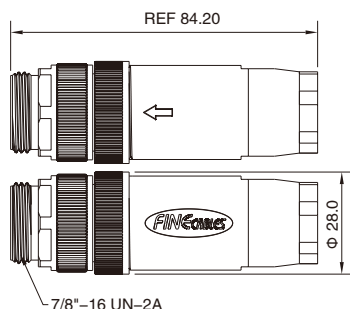
Note: X refers to cable specification

Remarks

- Please refer to Page 578 for the Conversion between American Wire Gauge AWG and Wire Cross-section mm².
- Please refer to Page 328 for products' part number encoding rule.

Mini-change(7/8") Male Field Wirable Assembly, Straight, Screw joint

- Connector series: Mini-change(7/8")
 - Gender: Male
 - Locking type: Fix screw
 - Mounting type: Straight
 - Part No.: MINI-C**MST-SJF-A
MINI-C**MST-SJF-B
- ** refers to pins number
- suitable cable Dia: A:6~8mm, B:8~10mm



General information



Ambient temperature:	-40°C ~ +90°C
Connector insert:	TPU
Connector contacts:	Brass with gold plating
Connector screw:	Aluminium anodized black
Connector body:	PA+GF

Insulation resistance:	≥ 100MΩ
Contact resistance :	≤ 5mΩ
Shielding:	Unavailable
Suitable cable Dia:	A: 6.0~8.0mm; B: 8.0~10.0mm
IP rating:	IP68 in locked condition
Assembly Instruction:	Refer to page 359
Mating endurance:	>500 cycles

Electrical data & Mechanical data

Contacts	Contacts termination	Rated current	Voltage		Wire gauge / size		Wire insulation	Part No.	
			A/C	D/C	AWG	mm ²			
03 pins		Screw joint	13A	300V	300V	16AWG	1.5	PVC wire or customized	MINI-C03MST-SJF-A MINI-C03MST-SJF-B
04 pins		Screw joint	13A	300V	300V	16AWG	1.5	PVC wire or customized	MINI-C04MST-SJF-A MINI-C04MST-SJF-B
05 pins		Screw joint	8A	300V	300V	16AWG	1.5	PVC wire or customized	MINI-C05MST-SJF-A MINI-C05MST-SJF-B

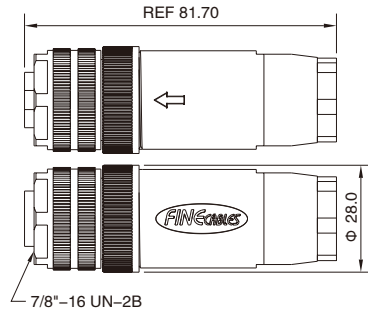
Remarks

- Please refer to Page 578 for the Conversion between American Wire Gauge AWG and Wire Cross-section mm².
- Please refer to Page 328 for products' part number encoding rule.

Mini-change(7/8") Female Field Wirable Assembly, Straight, Screw joint

- Connector series: Mini-change(7/8")
- Gender: Female
- Locking type: Fix screw
- Mounting type: Straight
- Part No.: MINI-C**FST-SJF-A
MINI-C**FST-SJF-B

** refers to pins number
- suitable cable Dia: A:6~8mm, B:8~10mm



General information



Ambient temperature:	-40°C ~ +90°C
Connector insert:	TPU
Connector contacts:	Brass with gold plating
Connector screw:	Aluminium anodized black
Connector body:	PA+GF
Seal / O-ring:	FKM

Insulation resistance:	≥ 100MΩ
Contact resistance :	≤ 5mΩ
Shielding:	Unavailable
Suitable cable Dia:	A: 6.0~8.0mm; B: 8.0~10.0mm
IP rating:	IP68 in locked condition
Assembly Instruction:	Refer to page 359
Mating endurance:	>500 cycles

Electrical data & Mechanical data

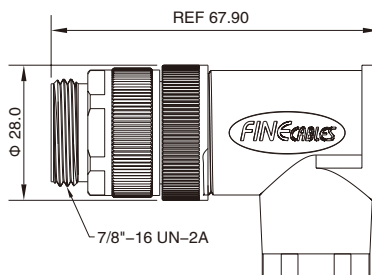
Contacts	Contacts termination	Rated current	Voltage		Wire gauge / size		Wire insulation	Part No.	
			A/C	D/C	AWG	mm ²			
03 pins		Screw joint	13A	300V	300V	16AWG	1.5	PVC wire or customized	MINI-C03FST-SJF-A MINI-C03FST-SJF-B
04 pins		Screw joint	13A	300V	300V	16AWG	1.5	PVC wire or customized	MINI-C04FST-SJF-A MINI-C04FST-SJF-B
05 pins		Screw joint	8A	300V	300V	16AWG	1.5	PVC wire or customized	MINI-C05FST-SJF-A MINI-C05FST-SJF-B

Remarks

- Please refer to Page 578 for the Conversion between American Wire Gauge AWG and Wire Cross-section mm².
- Please refer to Page 328 for products' part number encoding rule.

Mini-change(7/8") Male Field Wirable Assembly, Angled, Screw joint

- Connector series: Mini-change(7/8")
 - Gender: Male
 - Locking type: Fix screw
 - Mounting type: Right angled
 - Part No.: MINI-C**MRA-SJF-A
MINI-C**MRA-SJF-B
- ** refers to pins number
- suitable cable Dia: A:6~8mm, B:8~10mm



General information



Ambient temperature:	-40°C ~ +90°C
Connector insert:	TPU
Connector contacts:	Brass with gold plating
Connector screw:	Aluminium anodized black
Connector body:	PA+GF

Insulation resistance:	≥ 100MΩ
Contact resistance :	≤ 5mΩ
Shielding:	Unavailable
Suitable cable Dia:	A: 6.0~8.0mm; B: 8.0~10.0mm
IP rating:	IP68 in locked condition
Assembly Instruction:	Refer to page 359
Mating endurance:	>500 cycles

Electrical data & Mechanical data

Contacts	Contacts termination	Rated current	Voltage		Wire gauge / size		Wire insulation	Part No.	
			A/C	D/C	AWG	mm ²			
03 pins		Screw joint	13A	300V	300V	16AWG	1.5	PVC wire or customized	MINI-C03MRA-SJF-A MINI-C03MRA-SJF-B
04 pins		Screw joint	13A	300V	300V	16AWG	1.5	PVC wire or customized	MINI-C04MRA-SJF-A MINI-C04MRA-SJF-B
05 pins		Screw joint	8A	300V	300V	16AWG	1.5	PVC wire or customized	MINI-C05MRA-SJF-A MINI-C05MRA-SJF-B

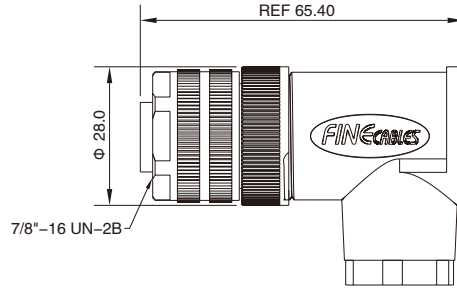
Remarks

- Please refer to Page 578 for the Conversion between American Wire Gauge AWG and Wire Cross-section mm².
- Please refer to Page 328 for products' part number encoding rule.

Mini-change(7/8") Female Field Wirable Assembly, Angled Screw Termination

- Connector series: Mini-change(7/8")
- Gender: Female
- Locking type: Fix screw
- Mounting type: Right angled
- Part No.: MINI-C**FRA-SJF-A
MINI-C**FRA-SJF-B

** refers to pins number
- suitable cable Dia: A:6~8mm, B:8~10mm



General information



Ambient temperature:	-40°C ~ +90°C
Connector insert:	TPU
Connector contacts:	Brass with gold plating
Connector screw:	Aluminium anodized black
Connector body:	PA+GF
Seal / O-ring:	FKM

Insulation resistance:	≥ 100MΩ
Contact resistance :	≤ 5mΩ
Shielding:	Unavailable
Suitable cable Dia:	A: 6.0~8.0mm; B: 8.0~10.0mm
IP rating:	IP68 in locked condition
Assembly Instruction:	Refer to page 359
Mating endurance:	>500 cycles

Electrical data & Mechanical data

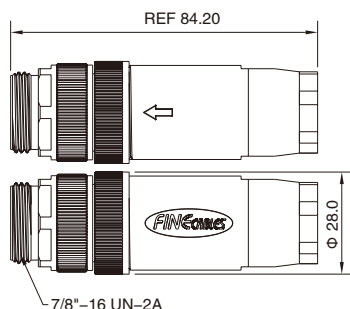
Contacts	Contacts termination	Rated current	Voltage		Wire gauge / size		Wire insulation	Part No.	
			A/C	D/C	AWG	mm ²			
03 pins		Screw joint	13A	300V	300V	16AWG	1.5	PVC wire or customized	MINI-C03FRA-SJF-A MINI-C03FRA-SJF-B
04 pins		Screw joint	13A	300V	300V	16AWG	1.5	PVC wire or customized	MINI-C04FRA-SJF-A MINI-C04FRA-SJF-B
05 pins		Screw joint	8A	300V	300V	16AWG	1.5	PVC wire or customized	MINI-C05FRA-SJF-A MINI-C05FRA-SJF-B

Remarks

- Please refer to Page 578 for the Conversion between American Wire Gauge AWG and Wire Cross-section mm².
- Please refer to Page 328 for products' part number encoding rule.

Mini-change(7/8")Male Field Assembly, Screw Termination with Nut

- Connector series: Mini-change(7/8")
 - Gender: Male
 - Locking type: Fix screw
 - Mounting type: Straight
 - Part No.: MINI-C**MST-SDF-A
MINI-C**MST-SDF-B
- ** refers to pins number
- suitable cable Dia: A:6~8mm, B:8~10mm



General information



Ambient temperature:	-40°C ~ +90°C
Connector insert:	TPU
Connector contacts:	Brass with gold plating
Connector screw:	Zinc alloy with nickel plated
Connector body:	PA+GF

Insulation resistance:	≥ 100MΩ
Contact resistance :	≤ 5mΩ
Shielding:	Unavailable
Suitable cable Dia:	A: 6.0~8.0mm; B: 8.0~10.0mm
IP rating:	IP68 in locked condition
Assembly Instruction:	Refer to page 359
Mating endurance:	>500 cycles

Electrical data & Mechanical data

Contacts	Contacts termination	Rated current	Voltage		Wire gauge / size		Wire insulation	Part No.
			A/C	D/C	AWG	mm ²		
03 pins 	Screw joint	13A	300V	300V	16AWG	1.5	PVC wire or customized	MINI-C03MST-SDF-A MINI-C03MST-SDF-B
04 pins 	Screw joint	13A	300V	300V	16AWG	1.5	PVC wire or customized	MINI-C04MST-SDF-A MINI-C04MST-SDF-B
05 pins 	Screw joint	8A	300V	300V	16AWG	1.5	PVC wire or customized	MINI-C05MST-SDF-A MINI-C05MST-SDF-B

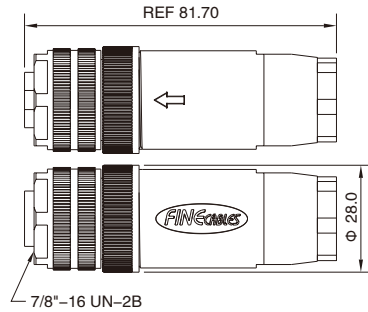
Remarks

- Please refer to Page 578 for the Conversion between American Wire Gauge AWG and Wire Cross-section mm².
- Please refer to Page 328 for products' part number encoding rule.

Mini-change(7/8") Female Field Assembly, Screw Termination with Nut

- Connector series: Mini-change(7/8")
- Gender: Female
- Locking type: Fix screw
- Mounting type: Straight
- Part No.: MINI-C**FST-SDF-A
MINI-C**FST-SDF-B

** refers to pins number
- suitable cable Dia: A:6~8mm, B:8~10mm



General information



Ambient temperature:	-40°C ~ +90°C
Connector insert:	TPU
Connector contacts:	Brass with gold plating
Connector screw:	Zinc alloy with nickel plated
Connector body:	PA+GF
Seal / O-ring:	FKM

Insulation resistance:	≥ 100MΩ
Contact resistance :	≤ 5mΩ
Shielding:	Unavailable
Suitable cable Dia:	A: 6.0~8.0mm; B: 8.0~10.0mm
IP rating:	IP68 in locked condition
Assembly Instruction:	Refer to page 359
Mating endurance:	>500 cycles

Electrical data & Mechanical data

Contacts	Contacts termination	Rated current	Voltage		Wire gauge / size		Wire insulation	Part No.	
			A/C	D/C	AWG	mm ²			
03 pins		Screw joint	13A	300V	300V	16AWG	1.5	PVC wire or customized	MINI-C03FST-SDF-A MINI-C03FST-SDF-B
04 pins		Screw joint	13A	300V	300V	16AWG	1.5	PVC wire or customized	MINI-C04FST-SDF-A MINI-C04FST-SDF-B
05 pins		Screw joint	8A	300V	300V	16AWG	1.5	PVC wire or customized	MINI-C05FST-SDF-A MINI-C05FST-SDF-B

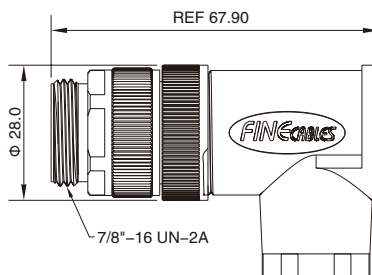
Remarks

- Please refer to Page 578 for the Conversion between American Wire Gauge AWG and Wire Cross-section mm².
- Please refer to Page 328 for products' part number encoding rule.

Mini-change(7/8")Male Field Assembly, Angled Screw Termination

- Connector series: Mini-change(7/8")
- Gender: Male
- Locking type: Fix screw
- Mounting type: Right angled
- Part No.: MINI-C**MRA-SDF-A
MINI-C**MRA-SDF-B

** refers to pins number
- suitable cable Dia: A:6~8mm, B:8~10mm



General information



Ambient temperature:	-40°C ~ +90°C
Connector insert:	TPU
Connector contacts:	Brass with gold plating
Connector screw:	Zinc alloy with nickel plated
Connector body:	PA+GF

Insulation resistance:	≥ 100MΩ
Contact resistance :	≤ 5mΩ
Shielding:	Unavailable
Suitable cable Dia:	A: 6.0~8.0mm; B: 8.0~10.0mm
IP rating:	IP68 in locked condition
Assembly Instruction:	Refer to page 359
Mating endurance:	>500 cycles

Electrical data & Mechanical data

Contacts	Contacts termination	Rated current	Voltage		Wire gauge / size		Wire insulation	Part No.
			A/C	D/C	AWG	mm ²		
03 pins 	Screw joint	13A	300V	300V	16AWG	1.5	PVC wire or customized	MINI-C03MRA-SDF-A MINI-C03MRA-SDF-B
04 pins 	Screw joint	13A	300V	300V	16AWG	1.5	PVC wire or customized	MINI-C04MRA-SDF-A MINI-C04MRA-SDF-B
05 pins 	Screw joint	8A	300V	300V	16AWG	1.5	PVC wire or customized	MINI-C05MRA-SDF-A MINI-C05MRA-SDF-B

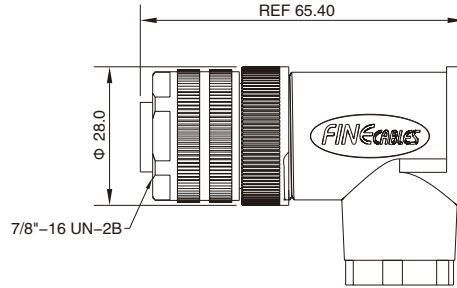
Remarks

- Please refer to Page 578 for the Conversion between American Wire Gauge AWG and Wire Cross-section mm².
- Please refer to Page 328 for products' part number encoding rule.

Mini-change(7/8") Female Field Assembly, Angled Screw Termination

- Connector series: Mini-change(7/8")
- Gender: Female
- Locking type: Fix screw
- Mounting type: Right angled
- Part No.: MINI-C**FRA-SDF-A
MINI-C**FRA-SDF-B

** refers to pins number
- suitable cable Dia: A:6~8mm, B:8~10mm



General information



Ambient temperature:	-40°C ~ +90°C
Connector insert:	TPU
Connector contacts:	Brass with gold plating
Connector screw:	Zinc alloy with nickel plated
Connector body:	PA+GF
Seal / O-ring:	FKM

Insulation resistance:	≥ 100MΩ
Contact resistance :	≤ 5mΩ
Shielding:	Unavailable
Suitable cable Dia:	A: 6.0~8.0mm; B: 8.0~10.0mm
IP rating:	IP68 in locked condition
Assembly Instruction:	Refer to page 359
Mating endurance:	>500 cycles

Electrical data & Mechanical data

Contacts	Contacts termination	Rated current	Voltage		Wire gauge / size		Wire insulation	Part No.	
			A/C	D/C	AWG	mm ²			
03 pins		Screw joint	13A	300V	300V	16AWG	1.5	PVC wire or customized	MINI-C03FRA-SDF-A MINI-C03FRA-SDF-B
04 pins		Screw joint	13A	300V	300V	16AWG	1.5	PVC wire or customized	MINI-C04FRA-SDF-A MINI-C04FRA-SDF-B
05 pins		Screw joint	8A	300V	300V	16AWG	1.5	PVC wire or customized	MINI-C05FRA-SDF-A MINI-C05FRA-SDF-B

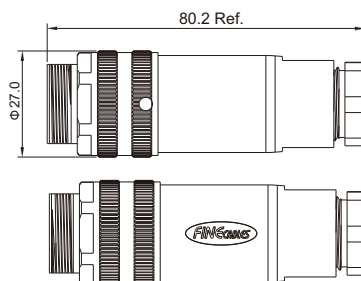
Remarks

- Please refer to Page 578 for the Conversion between American Wire Gauge AWG and Wire Cross-section mm².
- Please refer to Page 328 for products' part number encoding rule.

Mini-change(7/8")Male Field Assembly, Screw Termination with pilot hole

- Connector series: Mini-change(7/8")
- Gender: Male
- Locking type: Fix screw
- Mounting type: Straight
- Part No.: MINI-C**MST-SSF-A
MINI-C**MST-SSF-B

** refers to pins number
- suitable cable Dia: A:6~8mm, B:8~10mm



General information



Ambient temperature:	-40°C ~ +90°C
Connector insert:	TPU
Connector contacts:	Brass with gold plating
Connector screw:	Zinc alloy with nickel plated
Connector body:	PA+GF

Insulation resistance:	≥ 100MΩ
Contact resistance :	≤ 5mΩ
Shielding:	Unavailable
Suitable cable Dia:	A: 6.0~8.0mm; B: 8.0~10.0mm
IP rating:	IP68 in locked condition
Assembly Instruction:	Refer to page 359
Mating endurance:	>500 cycles

Electrical data & Mechanical data

Contacts	Contacts termination	Rated current	Voltage		Wire gauge / size		Wire insulation	Part No.
			A/C	D/C	AWG	mm ²		
03 pins 	Screw joint	13A	300V	300V	16AWG	1.5	PVC wire or customized	MINI-C03MST-SSF-A MINI-C03MST-SSF-B
04 pins 	Screw joint	13A	300V	300V	16AWG	1.5	PVC wire or customized	MINI-C04MST-SSF-A MINI-C04MST-SSF-B
05 pins 	Screw joint	8A	300V	300V	16AWG	1.5	PVC wire or customized	MINI-C05MST-SSF-A MINI-C05MST-SSF-B

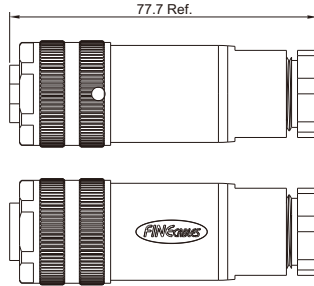
Remarks

- Please refer to Page 578 for the Conversion between American Wire Gauge AWG and Wire Cross-section mm².
- Please refer to Page 328 for products' part number encoding rule.

Mini-change(7/8") Female Field Assembly, Screw Termination with pilot hole

- Connector series: Mini-change(7/8")
- Gender: Female
- Locking type: Fix screw
- Mounting type: Straight
- Part No.: MINI-C**FST-SSF-A
MINI-C**FST-SSF-B

** refers to pins number
- suitable cable Dia: A:6~8mm, B:8~10mm



General information



Ambient temperature:	-40°C ~ +90°C
Connector insert:	TPU
Connector contacts:	Brass with gold plating
Connector screw:	Zinc alloy with nickel plated
Connector body:	PA+GF
Seal / O-ring:	FKM

Insulation resistance:	≥ 100MΩ
Contact resistance :	≤ 5mΩ
Shielding:	Unavailable
Suitable cable Dia:	A: 6.0~8.0mm; B: 8.0~10.0mm
IP rating:	IP68 in locked condition
Assembly Instruction:	Refer to page 359
Mating endurance:	>500 cycles

Electrical data & Mechanical data

Contacts	Contacts termination	Rated current	Voltage		Wire gauge / size		Wire insulation	Part No.	
			A/C	D/C	AWG	mm ²			
03 pins		Screw joint	13A	300V	300V	16AWG	1.5	PVC wire or customized	MINI-C03FST-SJF-A MINI-C03FST-SJF-B
04 pins		Screw joint	13A	300V	300V	16AWG	1.5	PVC wire or customized	MINI-C04FST-SJF-A MINI-C04FST-SJF-B
05 pins		Screw joint	8A	300V	300V	16AWG	1.5	PVC wire or customized	MINI-C05FST-SJF-A MINI-C05FST-SJF-B

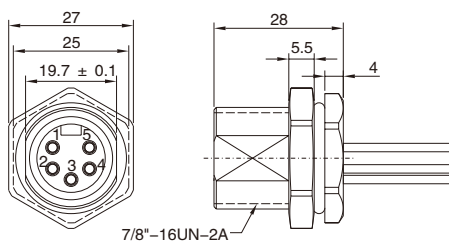
Remarks

- Please refer to Page 578 for the Conversion between American Wire Gauge AWG and Wire Cross-section mm².
- Please refer to Page 328 for products' part number encoding rule.

Mini-change(7/8") Male Panel Mount, Crimp, Front fastened

- Connector series: Mini-change(7/8")
- Gender: Male
- Locking type: Fix screw
- Mounting type: Front fastened
- Part No.: MINI-C**MST-PCF-XXXXXX

** refers to pins number
X refers to cable specification



General information



Ambient temperature:	-40°C ~ +90°C
Connector insert:	TPU
Connector contacts:	Brass with gold plating
Coupling nut/screw:	Brass with nickel plating
Seal / O-ring:	Epoxy resin/FKM

Insulation resistance:	≥ 100MΩ
Contact resistance :	≤ 5mΩ
Shielding:	Unavailable
IP rating:	IP68 in locked condition
Panel Cut-out:	Refer to page 360
Mating endurance:	>500 cycles

Electrical data & Mechanical data

Contacts	Contacts termination	Rated current	Voltage		Wire gauge / size		Wire insulation	Part No.
			A/C	D/C	AWG	mm ²		
03 pins	Crimp version	13A	300V	300V	18AWG	1.0	PVC wire or customized	MINI-C03MST-PCF- <u>XXX</u> B100
04 pins	Crimp version	13A	300V	300V	18AWG	1.0	PVC wire or customized	MINI-C04MST-PCF- <u>XXX</u> B100
05 pins	Crimp version	8A	300V	300V	20AWG	0.5	PVC wire or customized	MINI-C05MST-PCF- <u>XXX</u> B50
16 pins	Crimp version	4A	250V	250V	24AWG	0.25	PVC wire or customized	MINI-C16MST-PCF- <u>XXX</u> B25

Note: X refers to cable specification

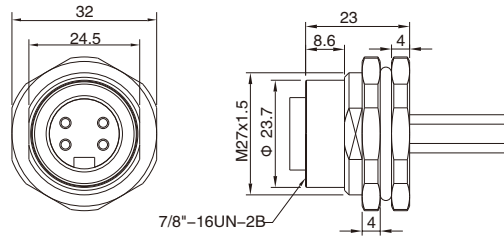
Remarks

- Please refer to Page 578 for the Conversion between American Wire Gauge AWG and Wire Cross-section mm².
- Please refer to Page 328 for products' part number encoding rule.

Mini-change(7/8") Female Panel Mount, Crimp, Front fastened

- Connector series: Mini-change(7/8")
- Gender: Female
- Locking type: Fix screw
- Mounting type: Front fastened
- Part No.: MINI-C**FST-PCF-XXXXXX

** refers to pins number
X refers to cable specification



General information



Ambient temperature:	-40°C ~ +90°C
Connector insert:	TPU
Connector contacts:	Brass with gold plating
Coupling nut/screw:	Brass with nickel plating
Seal / O-ring:	FKM

Insulation resistance:	≥ 100MΩ
Contact resistance :	≤ 5mΩ
Shielding:	Unavailable
IP rating:	IP68 in locked condition
Panel Cut-out:	Refer to page 360
Mating endurance:	>500 cycles

Electrical data & Mechanical data

Contacts	Contacts termination	Rated current	Voltage		Wire gauge / size		Wire insulation	Part No.	
			A/C	D/C	AWG	mm ²			
03 pins		Crimp version	13A	300V	300V	18AWG	1.0	PVC wire or customized	MINI-C03FST-PCF- <u>XXX</u> B100
04 pins		Crimp version	13A	300V	300V	18AWG	1.0	PVC wire or customized	MINI-C04FST-PCF- <u>XXX</u> B100
05 pins		Crimp version	8A	300V	300V	20AWG	0.5	PVC wire or customized	MINI-C05FST-PCF- <u>XXX</u> B50

Note: X refers to cable specification

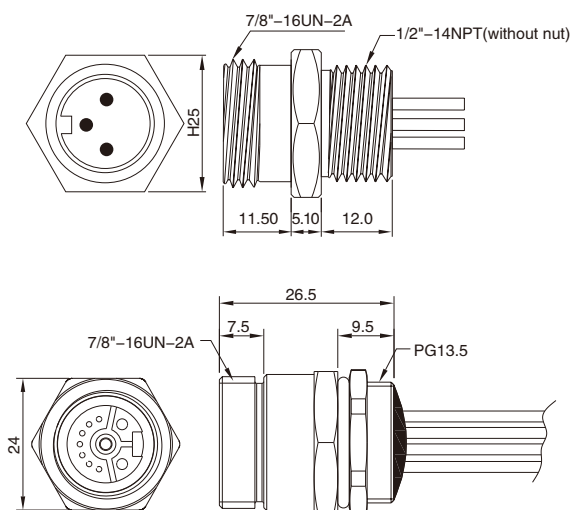
Remarks

- Please refer to Page 578 for the Conversion between American Wire Gauge AWG and Wire Cross-section mm².
- Please refer to Page 328 for products' part number encoding rule.

Mini-change(7/8") Male Panel Mount, Crimp, Rear fastened

- Connector series: Mini-change(7/8")
- Gender: Male
- Locking type: Fix screw
- Mounting type: Rear fastened
- Part No.: MINI-C**MST-PCR-XXXXXX-A
MINI-C**MST-PCR-XXXXXX-B

** refers to pins number
X refers to cable specification
- refers to thread specs: A:1/2"-14NPT, B:PG13.5



General information

Ambient temperature:	-40°C ~ +90°C
Connector insert:	TPU
Connector contacts:	Brass with gold plating
Coupling nut/screw:	Brass with nickel plating
Seal / O-ring:	Epoxy resin/FKM

Insulation resistance:	≥ 100MΩ
Contact resistance :	≤ 5mΩ
Shielding:	Unavailable
IP rating:	IP68 in locked condition
Panel Cut-out:	Refer to page 360
Mating endurance:	>500 cycles

Electrical data & Mechanical data

Contacts	Contacts termination	Rated current	Voltage		Wire gauge / size		Wire insulation	Part No.
			A/C	D/C	AWG	mm ²		
03 pins		Crimp version	13A	300V	300V	18AWG	1.0	PVC wire or customized MINI-C03MST-PCR-XXXB100-A MINI-C03MST-PCR-XXXB100-B
04 pins		Crimp version	13A	300V	300V	18AWG	1.0	PVC wire or customized MINI-C04MST-PCR-XXXB100-A MINI-C04MST-PCR-XXXB100-B
05 pins		Crimp version	8A	300V	300V	20AWG	0.5	PVC wire or customized MINI-C05MST-PCR-XXXB50-A MINI-C05MST-PCR-XXXB50-B
3+7 pins		Crimp version	4A (signal 7Pins) 8A (power 3Pins)	250V	250V	20~24AWG	0.25~0.5	PVC wire or customized MINI-C3+7MST-PCR-XXXB25-A MINI-C3+7MST-PCR-XXXB25-B
16 pins		Crimp version	4A	250V	250V	24AWG	0.25	PVC wire or customized MINI-C16MST-PCR-XXXB25-A MINI-C16MST-PCR-XXXB25-B

Note: X refers to cable specification

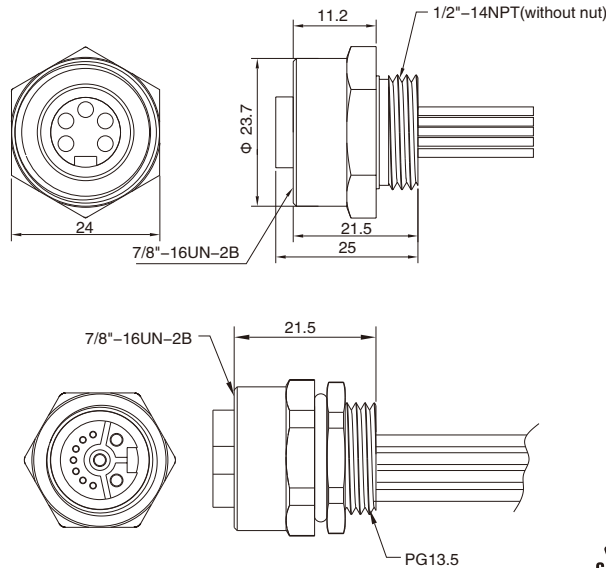
Remarks

- Please refer to Page 578 for the Conversion between American Wire Gauge AWG and Wire Cross-section mm².
- Please refer to Page 328 for products' part number encoding rule.

Mini-change(7/8") Female Panel Mount, Crimp, Rear fastened

- Connector series: Mini-change(7/8")
- Gender: Female
- Locking type: Fix screw
- Mounting type: Rear fastened
- Part No.: MINI-C**FST-PCR-XXXXXX-A
MINI-C**FST-PCR-XXXXXX-B

** refers to pins number
X refers to cable specification
- refers to thread specs: A:1/2"-14NPT, B:PG13.5



General information

Ambient temperature:	-40°C ~ +90°C
Connector insert:	TPU
Connector contacts:	Brass with gold plating
Coupling nut/screw:	Brass with nickel plating
Seal / O-ring:	Epoxy resin/FKM

Insulation resistance:	≥ 100MΩ
Contact resistance :	≤ 5mΩ
Shielding:	Unavailable
IP rating:	IP68 in locked condition
Panel Cut-out:	Refer to page 360
Mating endurance:	>500 cycles

Electrical data & Mechanical data

Contacts	Contacts termination	Rated current	Voltage		Wire gauge / size		Wire insulation	Part No.	
			A/C	D/C	AWG	mm ²			
03 pins		Crimp version	13A	300V	300V	18AWG	1.0	PVC wire or customized	MINI-C03FST-PCR-XXXB100-A MINI-C03FST-PCR-XXXB100-B
04 pins		Crimp version	13A	300V	300V	18AWG	1.0	PVC wire or customized	MINI-C04FST-PCR-XXXB100-A MINI-C04FST-PCR-XXXB100-B
05 pins		Crimp version	8A	300V	300V	20AWG	0.5	PVC wire or customized	MINI-C05FST-PCR-XXXB50-A MINI-C05FST-PCR-XXXB50-B
3+7 pins		Crimp version	4A (signal 7Pins) 8A (power 3Pins)	250V	250V	20~24AWG	0.25~0.5	PVC wire or customized	MINI-C3+7FST-PCR-XXXB25-A MINI-C3+7FST-PCR-XXXB25-B

Note: X refers to cable specification

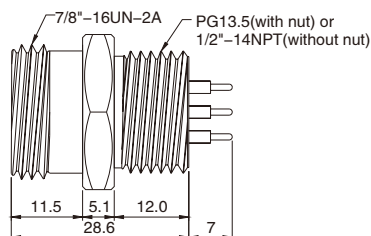
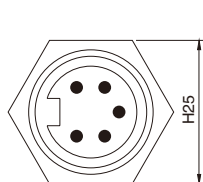
Remarks

- Please refer to Page 578 for the Conversion between American Wire Gauge AWG and Wire Cross-section mm².
- Please refer to Page 328 for products' part number encoding rule.

Mini-change(7/8") Male Panel Mount, PCB Type, Rear fastened

- Connector series: Mini-change(7/8")
- Gender: Male
- Locking type: Fix screw
- Mounting type: Rear fastened
- Part No.: MINI-C**MST-PBR-A
MINI-C**MST-PBR-B

** refers to pins number
- refers to thread specs: A:1/2"-14NPT, B:PG13.5



General information



Ambient temperature:	-40°C ~ +90°C
Connector insert:	TPU
Connector contacts:	Brass with gold plating
Coupling nut/screw:	Brass with nickel plating
Seal / O-ring:	Epoxy resin/FKM

Insulation resistance:	≥ 100MΩ
Contact resistance :	≤ 5mΩ
Shielding:	Unavailable
IP rating:	IP68 in locked condition
Panel Cut-out:	Refer to page 360
PCB layout:	Refer to page 360
Mating endurance:	>500 cycles

Electrical data & Mechanical data

Contacts	Contacts termination	Rated current	Voltage		Part No.
			A/C	D/C	
03 pins 	PCB version	13A	300V	300V	MINI-C03MST-PBR-XXXB100-A MINI-C03MST-PBR-XXXB100-B
04 pins 	PCB version	13A	300V	300V	MINI-C04MST-PBR-XXXB100-A MINI-C04MST-PBR-XXXB100-B
05 pins 	PCB version	8A	300V	300V	MINI-C05MST-PBR-XXXB50-A MINI-C05MST-PBR-XXXB50-B
16 pins 	PCB version	4A	250V	250V	MINI-C16MST-PBR-XXXB25-A MINI-C16MST-PBR-XXXB25-B

Note: X refers to cable specification

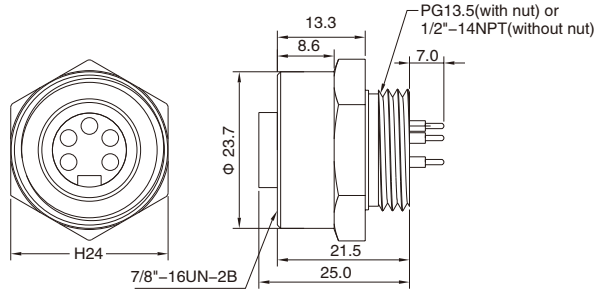
Remarks

- Please refer to Page 328 for products' part number encoding rule.

Mini-change(7/8") Female Panel Mount, PCB Type, Rear fastened

- Connector series: Mini-change(7/8")
- Gender: Female
- Locking type: Fix screw
- Mounting type: Rear fastened
- Part No.: MINI-C**FST-PBR-A
MINI-C**FST-PBR-B

** refers to pins number
- refers to thread specs: A:1/2"-14NPT, B:PG13.5



General information



Ambient temperature:	-40°C ~ +90°C
Connector insert:	TPU
Connector contacts:	Brass with gold plating
Coupling nut/screw:	Brass with nickel plating
Seal / O-ring:	Epoxy resin/FKM

Insulation resistance:	≥ 100MΩ
Contact resistance :	≤ 5mΩ
Shielding:	Unavailable
IP rating:	IP68 in locked condition
Panel Cut-out:	Refer to page 360
PCB layout:	Refer to page 360
Mating endurance:	>500 cycles

Electrical data & Mechanical data

Contacts	Contacts termination	Rated current	Voltage		Part No.
			A/C	D/C	
03 pins 	PCB version	13A	300V	300V	MINI-C03FST-PBR-XXXB100-A MINI-C03FST-PBR-XXXB100-B
04 pins 	PCB version	13A	300V	300V	MINI-C04FST-PBR-XXXB100-A MINI-C04FST-PBR-XXXB100-B
05 pins 	PCB version	8A	300V	300V	MINI-C05FST-PBR-XXXB50-A MINI-C05FST-PBR-XXXB50-B
16 pins 	PCB version	4A	250V	250V	MINI-C16FST-PBR-XXXB25-A MINI-C16FST-PBR-XXXB25-B

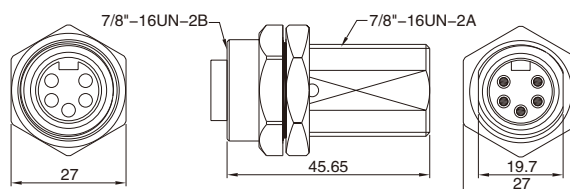
Note: X refers to cable specification

Remarks

- Please refer to Page 328 for products' part number encoding rule.

Mini-change(7/8") Male to Female Panel Mount

- Connector series: Mini-change(7/8")
- Gender: Male&Female
- Coding: A
- Locking type: Fix screw
- Mounting type: Straight
- Part No.: MT-011;MT-065~066



General information



Ambient temperature:	-40°C ~ +90°C
Connector insert:	PA+GF / TPU
Connector contacts:	Brass with gold plating
Coupling nut/screw:	Brass with nickel plating
Seal / O-ring:	Epoxy resin/FKM

Insulation resistance:	≥ 100MΩ
Contact resistance :	≤ 5mΩ
Shielding:	Unavailable
IP rating:	IP68 in locked condition
Panel Cut-out:	Refer to page 360
Mating endurance:	>500 cycles

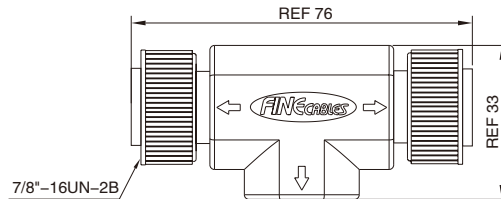
Electrical data & Mechanical data

Contacts	Rated current	Voltage		Part No.
		A/C	D/C	
03 pins Male Female	13A	300V	300V	MT-066
04 pins Male Female	13A	300V	300V	MT-065
05 pins Male Female	8A	300V	300V	MT-011

Mini-change (7/8") cables & connectors

Mini-change(7/8") I-Adapter, Female-Female

- Connector series: Mini-change(7/8")
- Gender: Female
- Locking type: Fix screw
- Mounting type: I type
- Part No.: MT-067~69



General information



Ambient temperature:	-25°C ~ +90°C
Connector insert:	TPU
Connector contacts:	Brass with gold plating
Connector screw/nut:	Aluminium anodized black
Connector overmold:	TPU
Seal/O-ring:	FKM

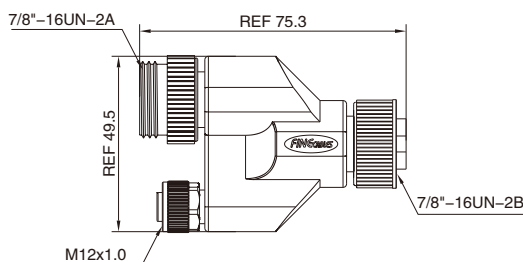
Insulation resistance:	≥ 100MΩ
Contact resistance :	≤ 5mΩ
Shielding:	Unavailable
IP rating:	IP68 in locked condition
Mating endurance:	>500 cycles

Electrical data & Mechanical data

Contacts	Rated current	Voltage		Part No.
		A/C	D/C	
03 pins 	13A	300V	300V	MT-067
04 pins 	13A	300V	300V	MT-068
05 pins 	8A	300V	300V	MT-069

Mini-change(7/8") Y-Splitter, Female-Male with M12 Female Connector

- Connector series: Mini-change(7/8")&M12
- Gender: Male&Female
- Coding: A
- Locking type: Fix screw
- Mounting type: Y type
- Part No.: MT-070



General information



Ambient temperature:	-25°C ~ +90°C
Connector insert:	TPU/PA+GF
Connector contacts:	Brass with gold plating
Connector screw/nut:	Aluminium anodized black(7/8") Zinc Alloy with nickel plated(M12)
Connector overmold:	TPU
Seal/O-ring:	FKM

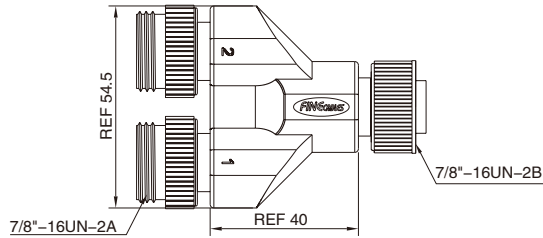
Insulation resistance:	≥ 100MΩ
Contact resistance :	≤ 5mΩ
Shielding:	Unavailable
IP rating:	IP68 in locked condition
Mating endurance:	>500 cycles

Electrical data & Mechanical data

Contacts	Rated current	Voltage		Part No.
		A/C	D/C	
05 pins 	4A	60V	60V	MT-070

Mini-change(7/8") Y-Splitter, Female-2* Male

- Connector series: Mini-change(7/8")
- Gender: Male&Female
- Locking type: Fix screw
- Mounting type: Y type
- Part No.: MT-071~073



General information



Ambient temperature:	-25°C ~ +90°C
Connector insert:	TPU
Connector contacts:	Brass with gold plating
Connector screw/nut:	Aluminium anodized black
Connector overmold:	TPU
Seal/O-ring:	FKM

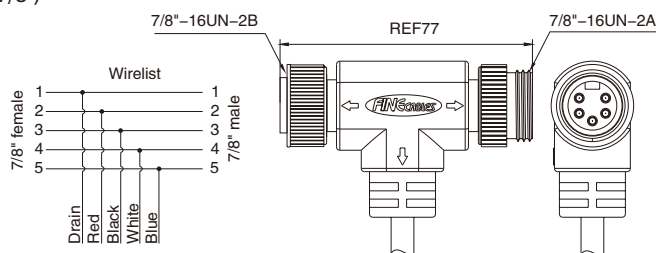
Insulation resistance:	≥ 100MΩ
Contact resistance :	≤ 5mΩ
Shielding:	Unavailable
IP rating:	IP68 in locked condition
Mating endurance:	>500 cycles

Electrical data & Mechanical data

Contacts	Rated current	Voltage		Part No.
		A/C	D/C	
03 pins Male Female	13A	300V	300V	MT-071
04 pins Male Female	13A	300V	300V	MT-072
05 pins Male Female	8A	300V	300V	MT-073

Mini-change(7/8") T-Splitter, Male-Female, Molded Cable

- Connector series: Mini-change(7/8")
- Gender: Male&Female
- Locking type: Fix screw
- Mounting type: T type
- Part No.: MT-014



General information



Ambient temperature:	-25°C ~ +90°C
Connector insert:	TPU
Connector contacts:	Brass with gold plating
Connector screw/nut:	Aluminium anodized black(7/8")
Connector overmold:	TPU
Seal/O-ring:	FKM

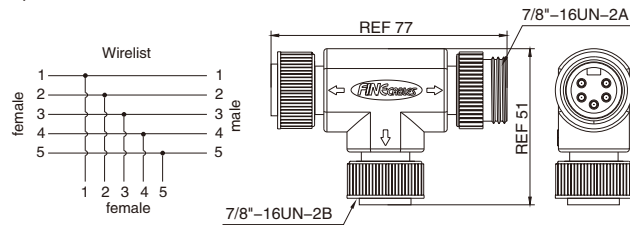
Insulation resistance:	≥ 100MΩ
Contact resistance :	≤ 5mΩ
Shielding:	Unavailable
IP rating:	IP68 in locked condition
Mating endurance:	>500 cycles

Electrical data & Mechanical data

Contacts	Rated current	Voltage		Wire gauge / size		Cable jacket	Wire insulation	Part No.
		A/C	D/C	AWG	mm ²			
05 pins Male Female	8A	300V	300V	20AWG	0.5	PUR / PVC	PVC	MT-014

Mini-change(7/8") T-Splitter, Female-Male-Female

- Connector series: Mini-change(7/8")
- Gender: Male&Female
- Locking type: Fix screw
- Mounting type: T type
- Part No.: MT-012



General information



Ambient temperature:	-25°C ~ +90°C
Connector insert:	TPU
Connector contacts:	Brass with gold plating
Connector screw/nut:	Aluminium anodized black
Connector overmold:	TPU
Seal/O-ring:	FKM

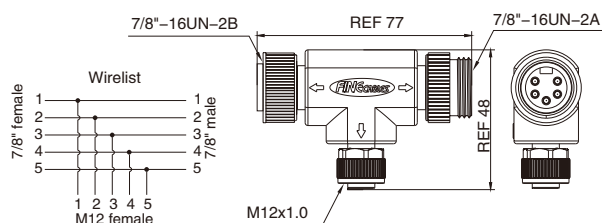
Insulation resistance:	≥ 100MΩ
Contact resistance :	≤ 5mΩ
Shielding:	Unavailable
IP rating:	IP68 in locked condition
Mating endurance:	>500 cycles

Electrical data & Mechanical data

Contacts	Rated current	Voltage		Part No.
		A/C	D/C	
05 pins Male Female	4A	60V	60V	MT-012

Mini-change(7/8") T-Splitter, Male-Female with M12 Female Connector

- Connector series: Mini-change(7/8")&M12
- Gender: Male&Female
- Locking type: Fix screw
- Mounting type: T type
- Part No.: MT-013



General information



Ambient temperature:	-25°C ~ +90°C
Connector insert:	TPU/PA+GF
Connector contacts:	Brass with gold plating
Connector screw/nut:	Aluminium anodized black(7/8") Zinc Alloy with nickel plated(M12)
Connector overmold:	TPU
Seal/O-ring:	FKM

Insulation resistance:	≥ 100MΩ
Contact resistance :	≤ 5mΩ
Shielding:	Unavailable
IP rating:	IP68 in locked condition
Mating endurance:	>500 cycles

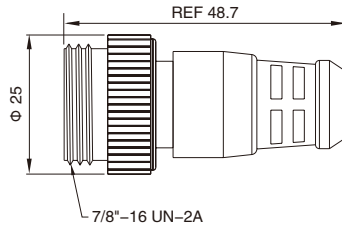
Electrical data & Mechanical data

Contacts	Rated current	Voltage		Part No.
		A/C	D/C	
05 pins 	4A	60V	60V	MT-013

Mini-change(7/8") Male Terminator

- Connector series: Mini-change(7/8")
- Gender: Male
- Locking type: Fix screw
- Mounting type: Straight
- Part No.: MINI-C**MST-M-T

** refers to pins number



General information



Ambient temperature:	-20°C ~ +80°C
Connector insert:	TPU
Connector contacts:	Brass with gold plating
Connector screw/nut:	Aluminium anodized black
Connector overmold:	TPU

Insulation resistance:	≥ 100MΩ
Contact resistance :	≤ 5mΩ
Shielding:	Unavailable
IP rating:	IP68 in locked condition
Mating endurance:	>500 cycles

Electrical data & Mechanical data

Contacts	Rated current	Voltage		Wire gauge / size		Part No.
		A/C	D/C	AWG	mm ²	
03 pins 	13A	300V	300V	18AWG	1.0	MINI-C03MST-M-T
04 pins 	13A	300V	300V	18AWG	1.0	MINI-C04MST-M-T
05 pins 	8A	300V	300V	20AWG	0.5	MINI-C05MST-M-T
16 pins 	4A	250V	250V	24AWG	0.25	MINI-C16MST-M-T

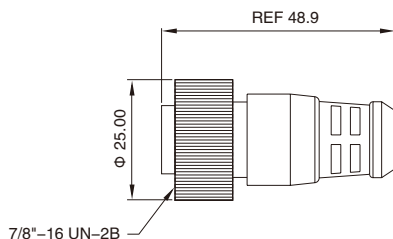
Remarks

- Please refer to Page 578 for the Conversion between American Wire Gauge AWG and Wire Cross-section mm².
- Please refer to Page 328 for products' part number encoding rule.

Mini-change(7/8") female terminator

- Connector series: Mini-change(7/8")
- Gender: Female
- Locking type: Fix screw
- Mounting type: Straight
- Part No.: MINI-C**FST-M-T

** refers to pins number



General information



Ambient temperature:	-20°C ~ +80°C
Connector insert:	TPU
Connector contacts:	Brass with gold plating
Connector screw/nut:	Aluminium anodized black
Connector overmold:	TPU
Seal/O-ring:	FKM

Insulation resistance:	≥ 100MΩ
Contact resistance :	≤ 5mΩ
Shielding:	Unavailable
IP rating:	IP68 in locked condition
Mating endurance:	>500 cycles

Electrical data & Mechanical data

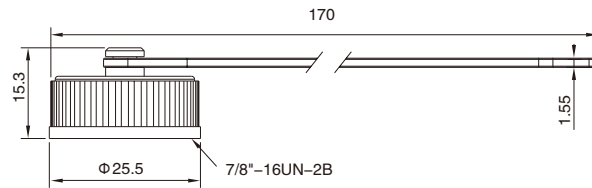
Contacts	Rated current	Voltage		Wire gauge / size		Part No.
		A/C	D/C	AWG	mm ²	
03 pins	13A	300V	300V	18AWG	1.0	MINI-C03FST-M-T
04 pins	13A	300V	300V	18AWG	1.0	MINI-C04FST-M-T
05 pins	8A	300V	300V	20AWG	0.5	MINI-C05FST-M-T
16 pins	4A	250V	250V	24AWG	0.25	MINI-C16FST-M-T

Remarks

- Please refer to Page 578 for the Conversion between American Wire Gauge AWG and Wire Cross-section mm².
- Please refer to Page 328 for products' part number encoding rule.

Mini-change(7/8") Protection Cap for Male Molded Cable Connector

- Connector series: Mini-change(7/8")
- Gender: for Male
- Locking type: Fix screw
- Part No.: PCN7/8"-2



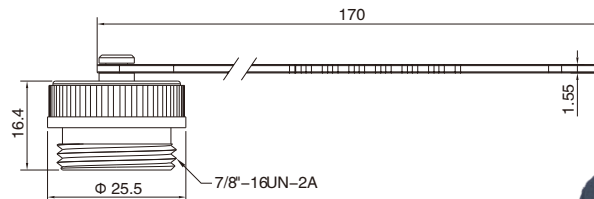
General information

Color:	Black
nut/screw:	PA+GF
Gasket:	FKM

Loop:	TPU
IP rating:	IP68 in locked condition

Mini-change(7/8") Protection Cap for Female Molded Cable Connector

- Connector series: Mini-change(7/8")
- Gender: for Female
- Locking type: Fix screw
- Part No.: PCS7/8"-1



General information

Color:	Black
nut/screw:	PA+GF

Loop:	TPU
IP rating:	IP68 in locked condition

Mini-change(7/8") Assembly Instruction

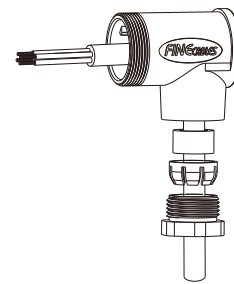
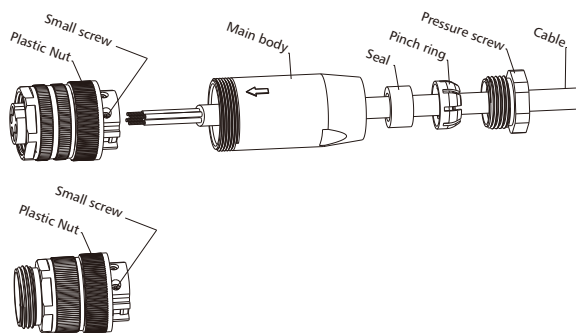
Step 1



Step 2

Assemble all components on cable as following.

Right Angled Sketch

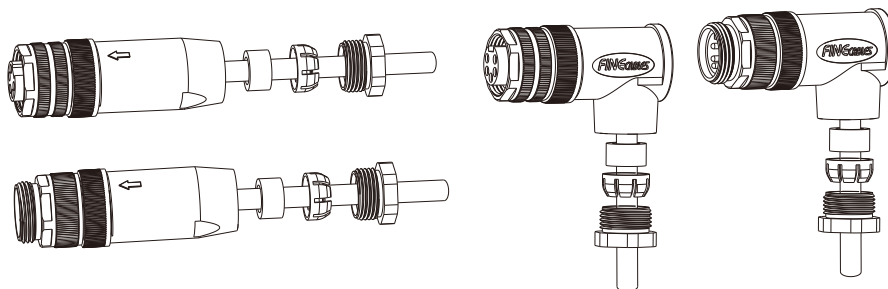


Step 3

Connect all wires to insert according to wirelist, then tighten all small screws. The torque for small screws is 0.3Nm.

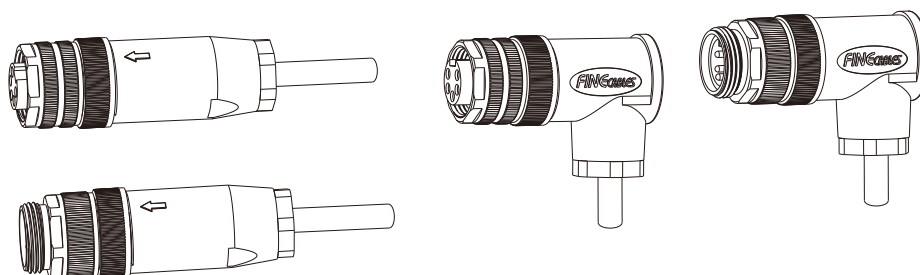
Step 4

Assemble plastic nut to main body. Recommended torque: 1.0Nm.
(Note: The key inside the main body must go straight to slot of insert.)



Step 5

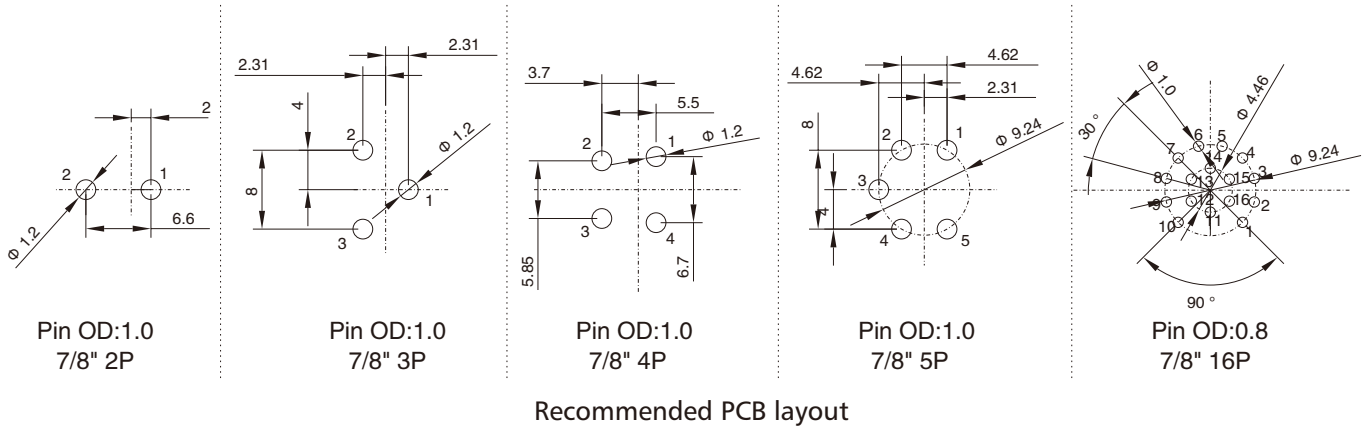
Push the cable seal, pinch ring into the main body, then tighten the pressure screw into the body with recommended torque: 1.0Nm.



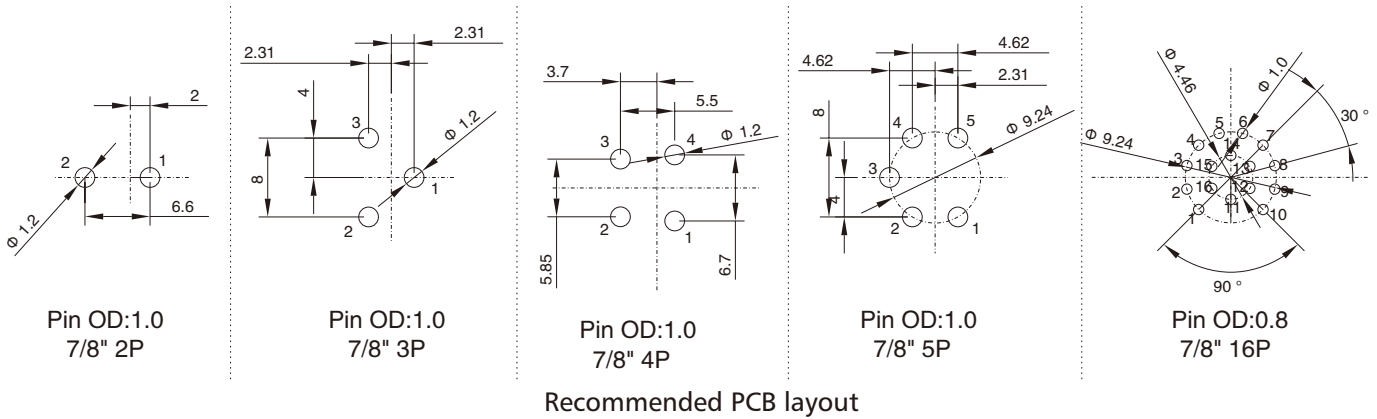
Mini-change(7/8") PCB Layout & Panel Cut-out

PCB Layout

7/8" Male Connector



7/8" Female Connector



Panel Cut-out Dimensions:

